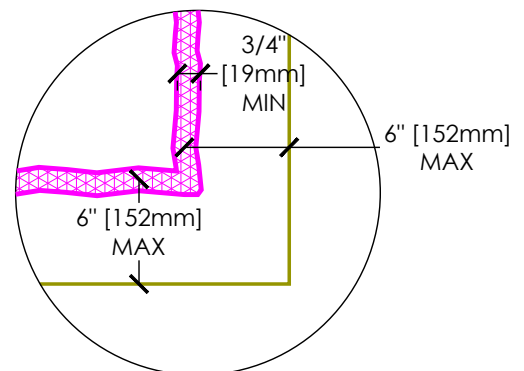
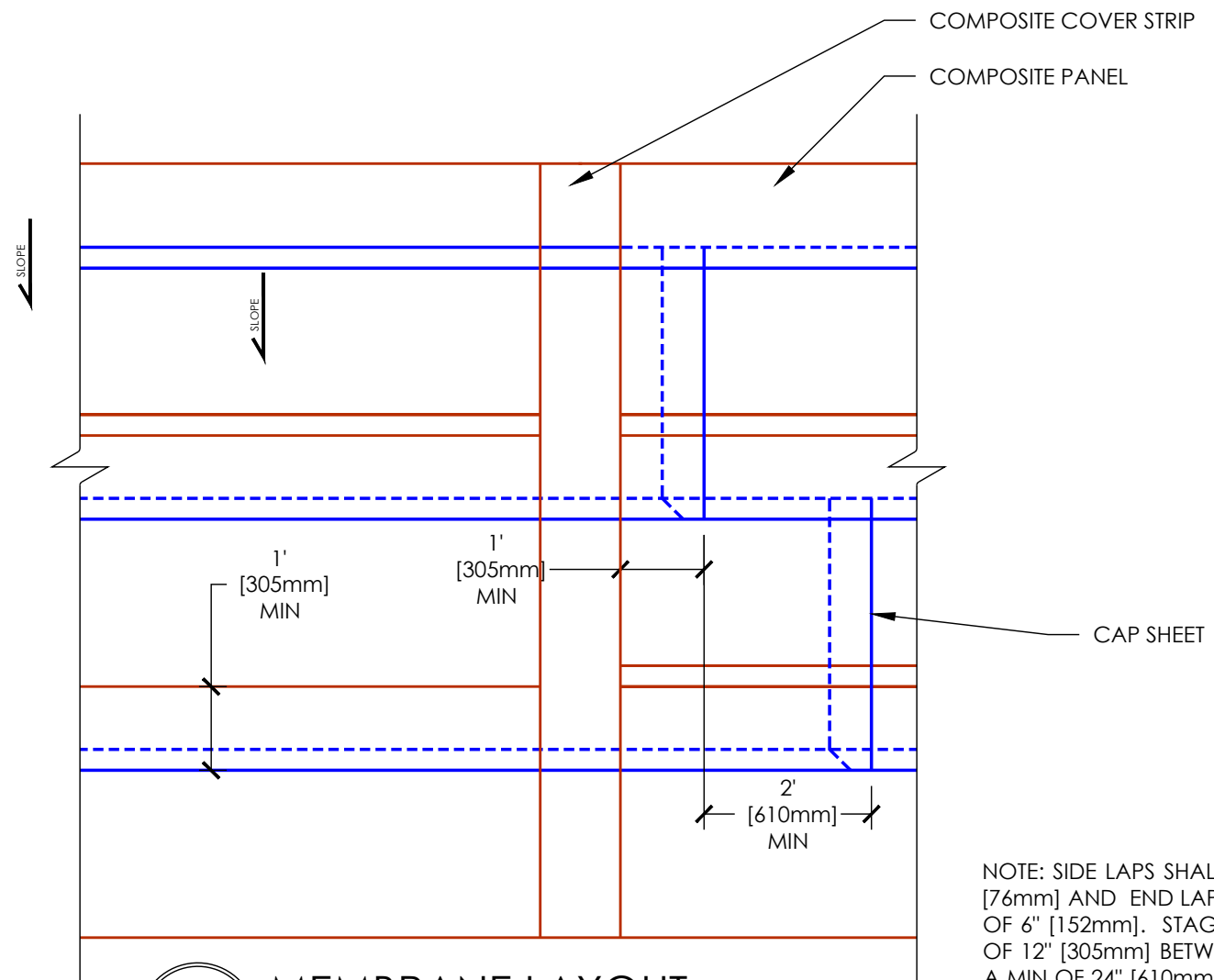


1 COVER BOARD ZONE 1
NTS - COMPOSITE PANEL



2 TYP. BOARD CORNER
NTS



3 MEMBRANE LAYOUT
NTS-TYP

NOTE: SIDE LAPS SHALL BE A MIN OF 3" [76mm] AND END LAPS SHALL BE A MIN OF 6" [152mm]. STAG. ALL LAPS A MIN OF 12" [305mm] BETWEEN LAYERS, AND A MIN OF 24" [610mm] BETWEEN ROWS. TRIM THE UNDERLYING MEMBRANE AT A 45° ANGLE AT THE T-JOINTS.

GENERAL NOTES

1. FOR THE COMPOSITE BALLAST EACH BOARD WITH A MIN OF SIX 40 LB [18KG] BALLASTS.
2. THE ADHESIVE MUST BE APPLIED TO THE UNDERSIDE OF THE BOARD.
3. APPLY ONE 3/4" [19mm] BEAD OF ADHESIVE AROUND THE ENTIRE PERIMETER OF THE BOARD 6" [152mm] IN FROM THE EDGE OF THE BOARD.

KEY NOTES

COMPOSITE PANEL:
FIELD & PERIMETER OF THE ROOF (ZONE 1)

1. APPLY ONE ADDITIONAL 3/4" [19mm] BEADS RUNNING LENGTHWISE AND SPACED EQUALLY OVER THE WIDTH OF THE BOARD, (12" [305mm] SPACING ± 1-1/2" [38mm]).

RMIS ENGINEERING



389 MAXWELL CRESCENT
Regina, SK S4N 5X9
www.rmiseng.ca
Phone 306.352.4606
Fax 306.352.4607



LIVING PRAIRIE
MUSEUM
C.13.SK.35-18.03.03

2795 NESS AVENUE
WINNIPEG, MB R3J 3S4

CITY OF WINNIPEG

4TH FLOOR - 135 KING STREET
WINNIPEG, MB R3B 1J1

No.	DATE	DESCRIPTION

DESIGNED BY SMC 04/18/2018
DRAWN BY SED 04/18/2018
REVIEWED BY SMC 04/18/2018

COVER BOARD & MEMBRANE DETAILS

A 4.02